

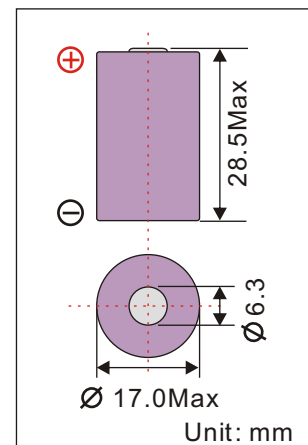
CR17285SL Brief Datasheet

Lithium Manganese Dioxide Battery

1 BASIC SPECIFICATION

(Typical values relative to cells stored for one year or less at + 30°C max.)

Nominal capacity (at 10mA, +23 °C) ^{*1}	1000mAh
Nominal voltage	3.0V
Standard discharge current	10mA
Maximum continuous current	800mA
Maximum pulse current ^{*2}	1500mA
Operating temperature range ^{*3}	-40°C- +70°C
Storage temperature (recommended)	+30°C Max
Weight	16g



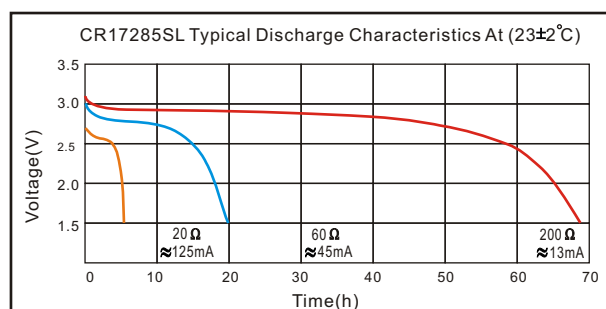
Note:

- *1 At 10mA discharge current to 2.0V cut-off, +23°C. The capacity restored by the cell varies according to current drain, temperature and cut-off.
- *2 The readings may vary according to the pulse characteristics, the temperature, and the cell's previous history.
- *3 Operation above ambient temperature range may lead to reduced capacity and lower voltage readings at the beginning of pulses. Consult EEMB.

2 MAIN FEATURES

- Light Weight, High Voltage and High Energy Density
- Excellent Stable Discharge Characteristics and outstanding Temperature Characteristics
- Outstanding Temperature Characteristics
- Excellent Leakage Resistance and excellent Long-term Reliability

3 ELECTRICAL CHARACTERISTICS



Spiral Structure Laser-sealing

Note: Any representations in this brochure concerning performance, are for informational purposes only and are not construed as warranties either expressed or implied, of future performance.